

# PRODUCT INFORMATION PACKET

**marathon**<sup>®</sup>  
Motors

Model No: 5KCR49SN3009  
Catalog No: C475  
1-1/3,1725/1140,DP,56,1/60/115  
Fan and Blower



Regal and Marathon are trademarks of Regal Beloit Corporation or one of its affiliated companies.  
©2018 Regal Beloit Corporation, All Rights Reserved. MC017097E

**REGAL**<sup>®</sup>



### Nameplate Specifications

Output HP	<b>1 Hp</b>	Output KW	<b>0.75 kW</b>
Frequency	<b>60 Hz</b>	Voltage	<b>115 V</b>
Current	<b>10.8,7.4 A</b>	Speed	<b>1725 rpm</b>
Service Factor	<b>1.15</b>	Phase	<b>1</b>
Efficiency	<b>70 %</b>	Duty	<b>Continuous</b>
Insulation Class	<b>B</b>	KVA Code	<b>J</b>
Frame	<b>56</b>	Enclosure	<b>Drip Proof</b>
Overload Protector	<b>N/R</b>	Ambient Temperature	<b>40 °C</b>
Drive End Bearing Size	<b>6203</b>	Opp Drive End Bearing Size	<b>6203</b>
UL	<b>Recognized</b>	CSA	<b>Yes</b>
CE	<b>N</b>		

### Technical Specifications

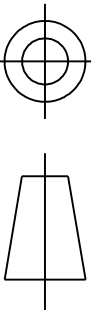
Electrical Type	<b>Capacitor Start Capacitor Run(CSCR)</b>	Starting Method	<b>SM</b>
Poles	<b>4</b>	Rotation	<b>Selective Counterclockwise</b>
Mounting	<b>Resilient Base</b>	Motor Orientation	<b>Any</b>
Drive End Bearing	<b>BALL</b>	Opp Drive End Bearing	<b>BALL</b>
Frame Material	<b>Rolled Steel</b>	Overall Length	<b>12.01 in</b>
Frame Length	<b>7.68 in</b>	Shaft Diameter	<b>0.630 in</b>
Shaft Extension	<b>1.88 in</b>	Thru-bolts Extension	<b>0</b>
Outline Drawing	<b>52A109607P3</b>	Connection Diagram	<b>52A106478AA</b>

This is an uncontrolled document once printed or downloaded and is subject to change without notice. Date Created: 07/02/2018



REVISIONS

THIRD ANGLE PROJECTION

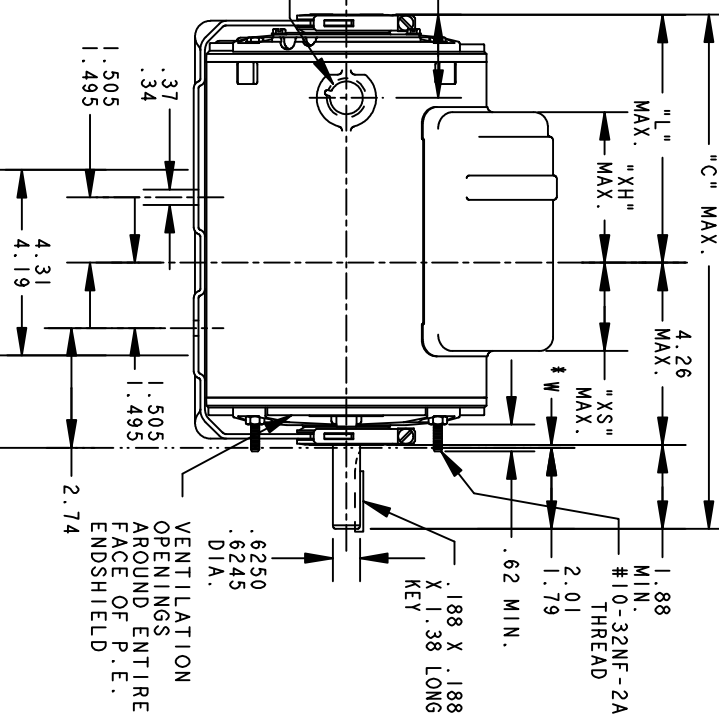
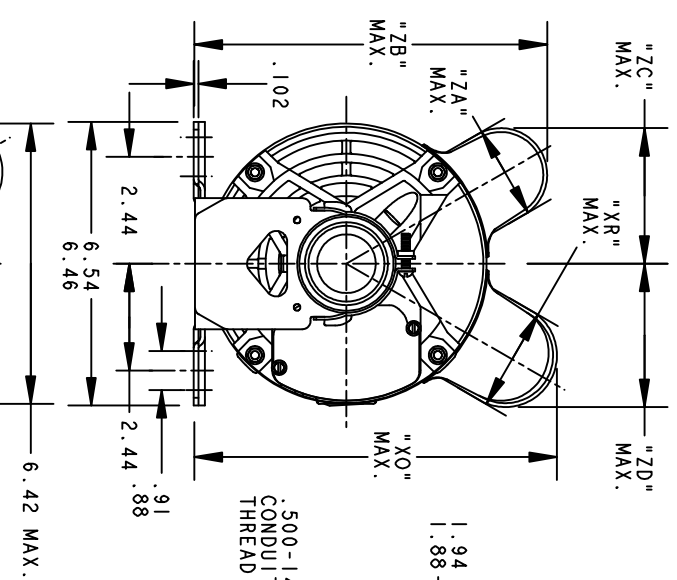


REV.	DESCRIPTION	DATE	APPROVED
6	ADDED PT#6 PER DS11-1413 REDESIGN	06/15/2011	BHASKAR

SHEET 1  
REV

52A109607

DRAWING NO. A  
SIZE A



\* W IS A VARIABLE CLEARANCE DUE TO VARIATIONS IN PARTS AND ASSEMBLY

6	KCR	49	56	12.01	6.75	3.62	8.16	2.10	2.30	2.10	8.16	3.15	3.15	7.68
5	KCR	48	56	12.54	6.50	4.37	7.92	1.60	2.39	2.10	8.16	3.15	3.16	8.43
4	KC	46	56	10.78	4.62	2.92	7.81	1.60	2.82	2.15	8.18	3.20	2.89	6.55
3	KCR	49	56	12.01	5.75	3.62	7.74	1.60	2.30	2.10	8.16	3.15	2.80	7.68
2	KCR	49	56	11.48	5.22	3.48	8.16	2.40	2.26	2.10	8.16	3.15	3.30	7.15
1	KCR	49	56	11.48	5.22	3.48	7.56	1.60	2.26	2.10	8.16	3.15	3.09	7.15
P	TYPE	GE	NEMA	"C"	"L"	"XH"	"XO"	"XR"	"XS"	"ZA"	"ZB"	"ZC"	"ZD"	MIN. SHELL

**REGAL-BELOIT CORPORATION**

OUTLINE

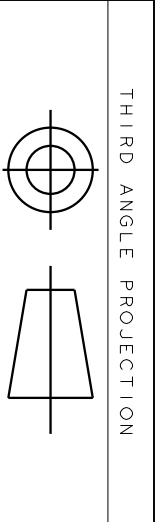
TITLE  
**40 FRAME REDESIGN - GENERAL PURPOSE MOTOR - DRIP PROOF - BALL BEARING - RESILIENT BASE FMF: SKCR49PN3012X**

SIZE DRAWING A  
**52A109607**

SCALE: 0.250 REF. No.: SHEET 1 of 1

SIGNATURES		DATE
MODEL	MA MARKS	04/06/94
DETAIL		
CHECKED		
ENGRG		
MFG		
QUALITY		
ISSUED	M.D. PAPE	02/11/00

FOR ADDITIONAL INFO REFER TO:  
APPLIED DIMENSIONS ARE IN INCHES ✓  
MATERIAL



THIRD ANGLE PROJECTION

REV.	DESCRIPTION	DATE	APPROVED
5	UPDATED TO RBC FORMAT	01/09/06	MAM

EITHER ROTATION  
 SINGLE VOLTAGE  
 TYPE KC, KCR, OR KH  
 2 SPEED  
 POLE CHANGING

T1 OR BLUE

T2 OR WHITE

T8 OR RED

J10 OR RED

MAIN (HI)

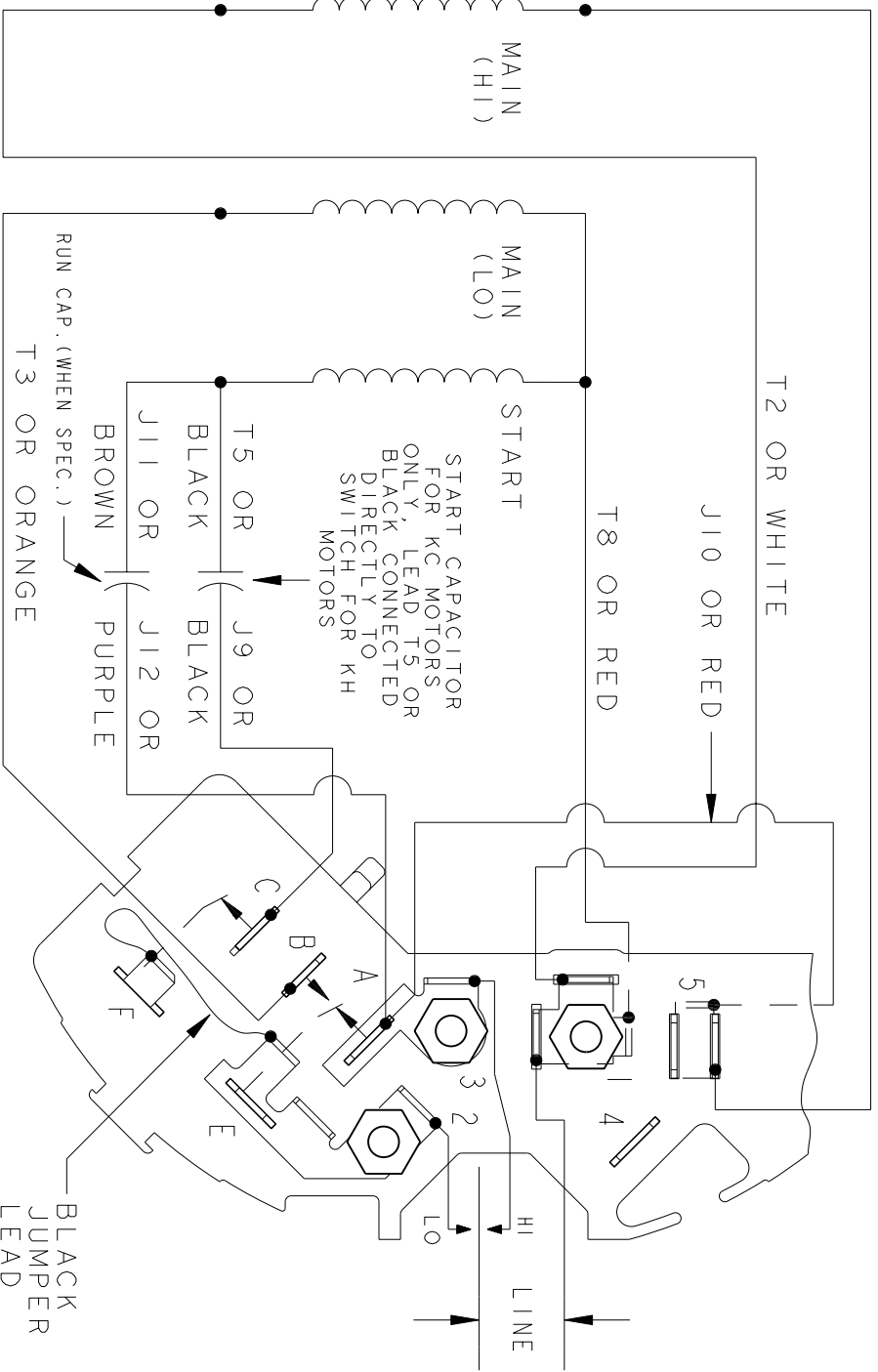
MAIN (LO)

START

START CAPACITOR  
 FOR KC MOTORS  
 ONLY, LEAD T5 OR  
 BLACK, CONNECTED  
 DIRECTLY TO  
 SWITCH FOR KH  
 MOTORS

T5 OR BLACK  
 J11 OR BROWN  
 J9 OR BLACK  
 J12 OR PURPLE  
 RUN CAP. (WHEN SPEC.)  
 T3 OR ORANGE

BLACK  
 JUMPER  
 LEAD



NOTE #1 - TO REVERSE ROTATION INTERCHANGE BLUE (T1) AND WHITE (T2) LEADS.  
 NOTE #2 - WHEN MORE THAN ONE CAPACITOR IS USED CONNECT IN PARALLEL.

SWITCH (D) - 115D9558BA

CONNECTION LABEL - 52X332073

REF. DIAG. - 121A865

SIGNATURES	DATE
MODEL M.D.P.	12/14/87
DETAIL	
CHECKED	
ENGRG	
MFG	
QUALITY	
ISSUED M.D.P.	12/14/87
APPLIED PRACTICES	
DIMENSIONS ARE IN INCHES	
MATERIAL	SOLID MODEL: 52A106478AA



REGAL-BELOIT CORPORATION

TITLE CONNECTION DIAGRAM

FMF: 5KH36KN114G

52A106478AA

REV 5

SCALE: 1.000 REF. No.:

SHEET 1 of 1